



FP-W

Wash bottle series FP®

Version FP-W, FT-W

Special Features

- Chargeable with a variety of absorbents
- Easy change of absorbents
- Condition of liquid visible from outside
- Optimum outwashing effect
- Also for constant pressure upstream the analyser
- Wall mounting

Application

The F...-W wash bottle is used wherever individual components are to be washed out of a sample gas.

A further application is the maintenance of a constant pressure upstream of an analyser by establishing a constant differential pressure with respect to the atmosphere by using the second inlet. The admission pressure depends on the liquid level in the wash bottle and is maximum 10 mbar.

Description

The M&C F...-W wash bottle features components from our universal filter range. The gas passes a bubbler that intensifies the outwashing effect. The glass filter body enables the examination of the absorbent without dismantling the wash bottle. No tools are required changing the absorbent. The optimal position of the O-ring guarantees the tightness between body and head of the wash bottle.

The wash bottle can be rotated about 180° in the holder for wall mounting. This allows a flexible adaptation of the in- and outlet to local conditions.

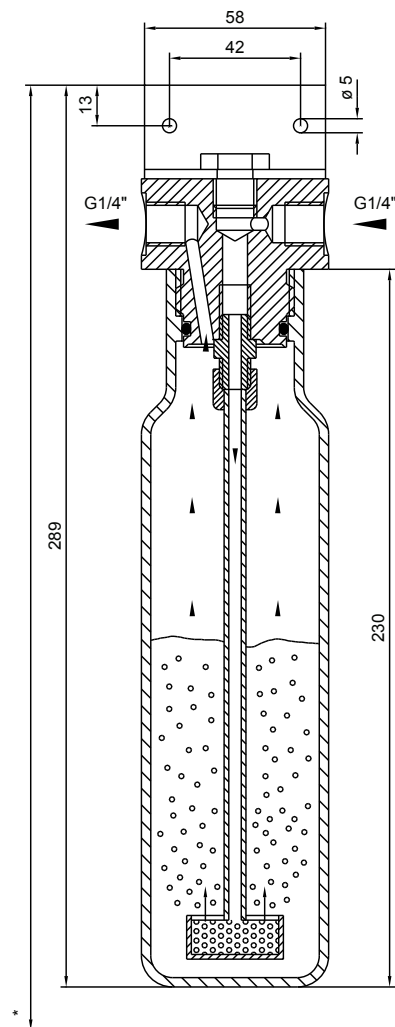
The F...-W wash bottle is also available with an optional GL18-6 connector at the bottom of the glass body.

To avoid clogging of the bubbler, liquid and particle separation should be arranged downstream of the wash bottle.

Overpressure at the outlet or underpressure at the inlet of the wash bottle must be avoided. Otherwise the liquid will be displaced to the inlet of the wash bottle.

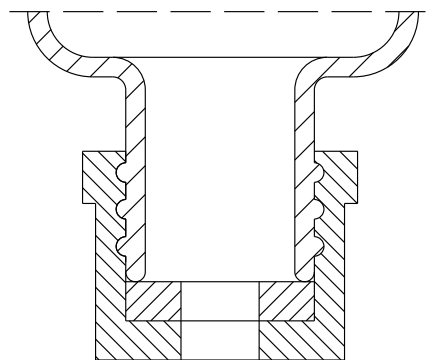
Dimensions

Wash bottle F.-W



* recommended constructional size 400

Wash bottle FP-W-GL18, Partial view of glass body with GL18-6 connector on the bottom



GL18-6mm connector with sealing ring for 6mm

Dimensions in mm

Technical Data

Wash bottle	FP-W	FP-W-GL18	FT-W
Part number	03 F 5300	03F5500	03F5400
Sample contacting parts: head part, connector, tube, o-ring, bubbler, glass body	PVDF FPM glass		PTFE PTFE,FEP glass
Contents approx.	0,4 l		
Flow rate	max. 250 l/hr		
Operating temperature	-20 to +80 °C		-20 to +100 °C
Storage temperature	-30 to +110 °C		-20 to +180 °C
Operating pressure	max. 1 bar, at 20°C		
Method of mounting	wall mounting, position of mounting vertical		
Absorption material	standard scope of supply without absorption material		
Connection	G1/4" i, DIN ISO 228/1	G1/4" i, GL18-6	G1/4" i, DIN ISO 228/1
Weight	0,4 kg		