

MP30

Analytical Diaphragm Pump Series MP®

Version MP30

Special Features

- Corrosion resistant
- 100 % lubricant free
- Gas tight
- Maintenance free
- Long service life
- Small dimensions, high performance

Application

This diaphragm pump MP30 is suitable for corrosive gases. It is constructed especially for applications in gas analysis technique.

Description

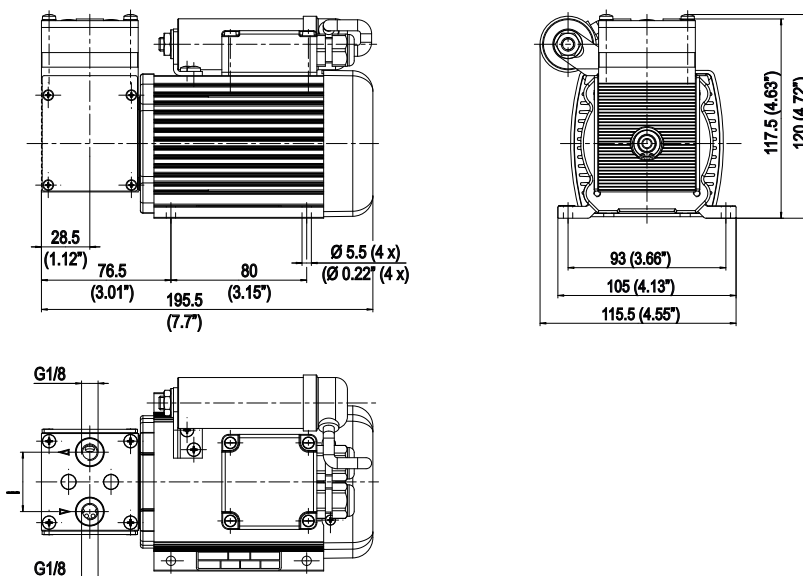
The pump MP30 has a PVDF-head. All sample contacting parts are made of PVDF, PTFE and FFKM. The pump works absolutely lubricant free, so gases remain analytically unchanged. Due to a special diaphragm and valve system, the pump operates maintenance-free.

The MP30 is available in 230 V or 115 V.

The standard MP30 is designed for normal applications at a maximum gas flow of 7 l/min.

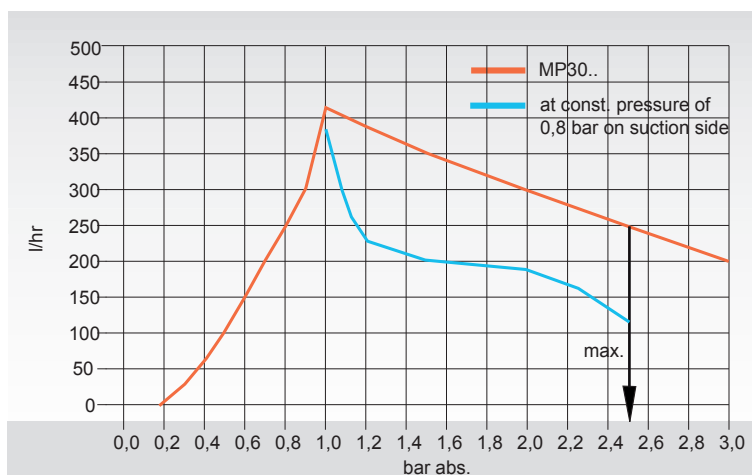
Dimensions

Pump MP30



Dimensions in mm (inch)

Performance characteristics MP30



Operating pressure for MP30 is max. 2.5 bar abs.

Technical Data

Diaphragm pump	MP 30 230 V / 50 Hz	MP30 115 V / 60 Hz
Part number	02 P 1500	02 P 1500a
Degree of protection	IP 54 EN 60529	
Power consumption	70 W	
Current consumption	0.45 A	0.7 A
Capacity max.	7.0 l/min without pressure 0.9 / 2.0 bar abs. on suction / pressure side: 5 l/min	
Operating pressure	0.2 to 2.5 bar abs.	
Sample temperature	+5 to +40 °C (41 °F to 104 °F)	
Ambient temperature	+5 to +40 °C (41 °F to 104 °F)	
Storage temperature	-15 to +60 °C (5 °F to 140 °F)	
Gas connections	G1/8" i DIN ISO 228/1	
Material of sample contacting parts	pump head: PVDF, SS316Ti, diaphragm: PTFE, valves: FFPM	
Operation mode	100 % continuous duty, start of the pump only without pressure	
Weight	3.1 kg (6.83 lbs)	