



SP53-P-GF and SP52-P-2GF

## Ambient air suction filter series SP®

Version SP52...without splash-proof socket

Version SP53...with splash-proof socket

### Special Features

- Superfine filtration
- Large active filter surface
- Various materials available
- Easy mounting
- Easy maintenance

### Application

M&C ambient air filters SP52 / SP53 are used for filtration of ambient air in gas monitoring systems. Main applications are ambient air monitoring and air conditioning systems.

### Description

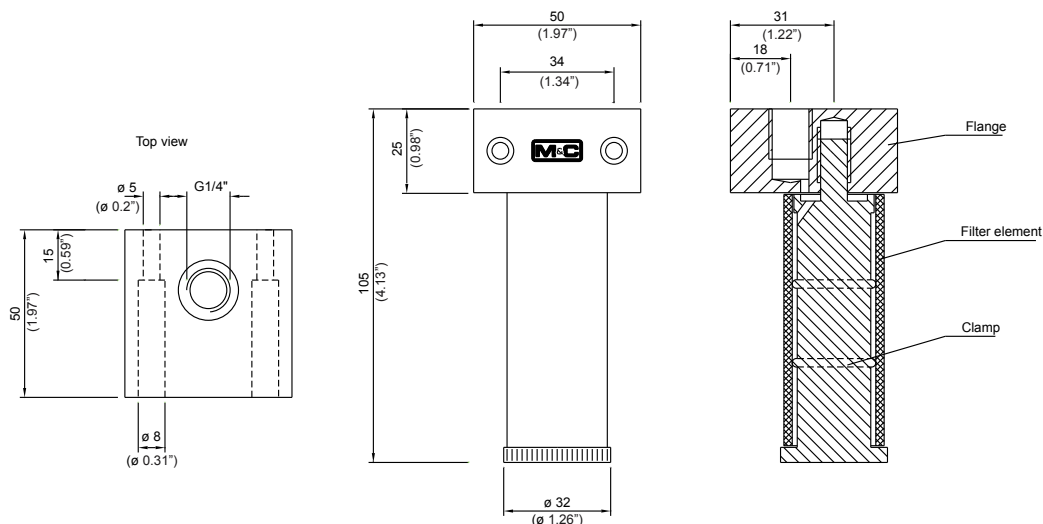
The variable construction of the M&C ambient air filters SP52 / SP53 allows a perfect adaption to local situations. Filter body and filter element available in various materials and filter porosities.

The open construction shows at any time the contamination of the filter element and allows an easy filter element replacement without tools.

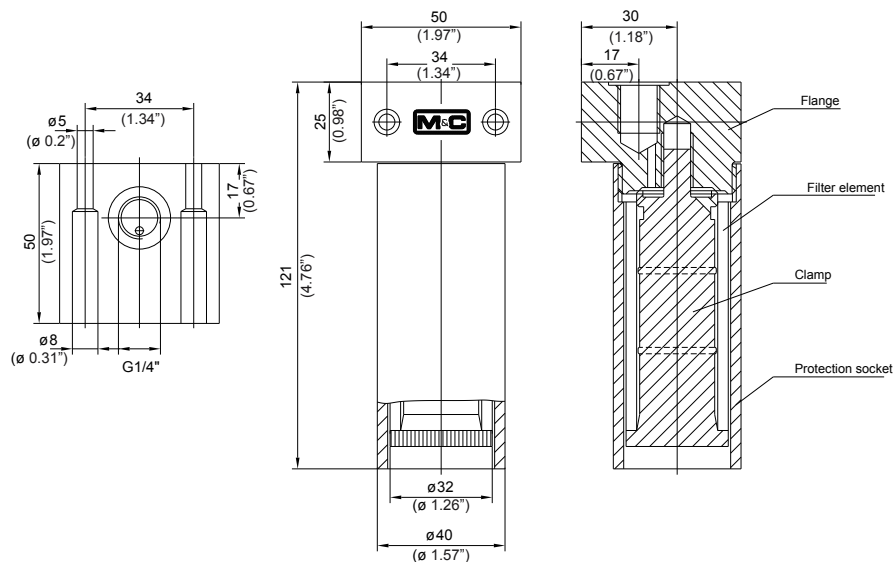
Wall mounting is effected by means of two screws in the filter flange. The version SP53 is equipped with a splash-proof socket.

## Dimensions

### Ambient air suction filter SP52...-



### Ambient air suction filter with splash-proof socket SP53...-



Dimensions in mm (inch)

## Technical Data

Filter Type	SP52-P-2GF	SP52-PV-2GF	SP52-T-2GF	SP52-A-2GF	SP52-SS-20T	SP53-P-2GF	SP53-T-2GF
Part No.	04 S 1000	04 S 1100	04 S 3000	04 S 2000	04 S 4000	04 S 6000	04 S 6100
Protect. socket						plexiglass	
Filter element	F-2GF, 2 µm glass fibre				F-20T, 20 µm PTFE	F-2GF, 2 µm glass fibre	
Flange	PP	PVDF	PTFE	Al anodized	stainless steel 316Ti	PP	PTFE
Clamp	PP	PVDF	PTFE	Al anodized	stainless steel 316Ti	PP	PTFE
Temperature, max.	60 °C (140 °F)	80 °C (176 °F)	100 °C (212 °F)	180 °C (356 °F)	160 °C (320 °F)	60 °C (140 °F)	100 °C (212 °F)
Flow, max.	500 l/h (8.3 l/min)						
diff. Pressure	35 mbar				55 mbar	35 mbar	
Connection	1 x G1/4" i. DIN ISO 228/1						
Dimensions	50 x 50 x 105 mm (1.97" x 1.97" x 4.13") (w x d x l)					50 x 50 x 121 mm (1.97" x 1.97" x 4.76") (w x d x l)	
Weight	100 g (0.22 lb)	200 g (0.44 lb)	220 g (0.49 lb)	280 g (0.62 lb)	800 g (1.76 lb)	130 g (0.29 lb)	250 g (0.55 lb)

Other materials or filter porosities on request.