

SR25.2

## Special Features

- Save continuous condensate removal
- With return stop
- Self-suctioning
- Slow speed
- Tubing with long service life

## Application

The peristaltic pump SR25.X-X has been specially developed for condensate removal in analysis applications. It ensures a continuous condensate discharge in gas coolers, condensate collecting vessels, etc. A synchronous motor and the gearing unit with return stop make a condensate flow back impossible.

The capacity of 0.3 l/h guarantees a safe condensate removal, for example when cooling 850 l/h sample gas with an initial dew point of +70 °C (158 °F).

- The peristaltic pump SR25.2-W is equipped with a mounting bracket, and is designed for installations inside or attached to an enclosure.
- Different models can be used depending on the required pumping capacity of the peristaltic pump. The SR25.3 can be used for up to 1 rpm, the SR25.2 for 5 rpm, and the SR25.6 for 10 rpm.

## Description

The peristaltic pump SR25.X-X is self-suctioning and designed for continuous operation. It consists of 3 compact parts:

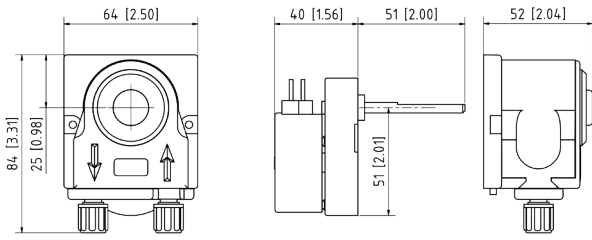
- synchronous motor
- gearing unit with return stop
- pump head

The slow speed, the two PVDF contact pulleys and the different tubing materials guarantee a good mechanical and chemical resistance with a long service life. Pre-assembled flexible tubing sets make it easy to replace tubing, even without using any tools. The tube connector DN4/6 also allows connecting PTFE tubing.

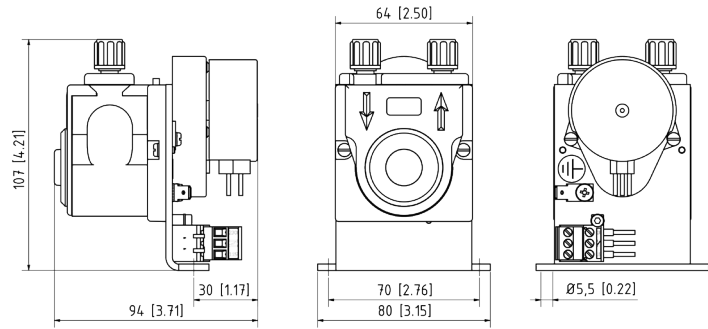
- The peristaltic pump SR25.X-X is equipped with a 230 V / 50 Hz or 115 V / 60 Hz power supply.
- The peristaltic pump SR25.X-G has an enclosure, and is designed for wall mounting.
- The peristaltic pump SR25.X is designed to be attached to a front plate of a cooler unit. Up to 4 SR25.X peristaltic pumps can be integrated into the front plate of a compressor gas cooler type EC (see data sheet 6.5).

## Dimensions

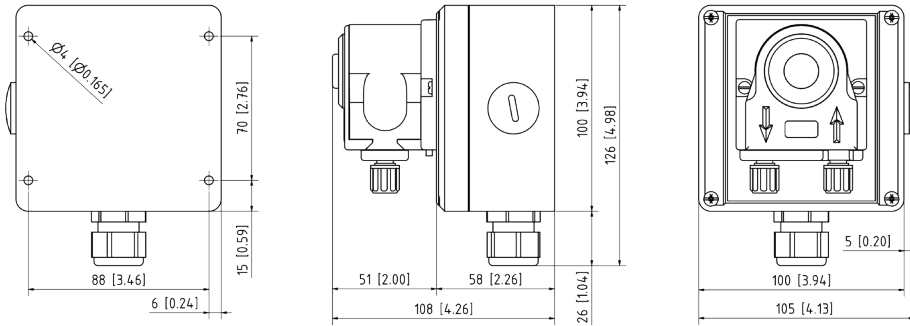
### Peristaltic pump SR25.2



### Peristaltic pump SR25.2-W



### Peristaltic pump SR25.2-G in wall-mounting housing



Dimensions in mm (Inches)

Metric dimensions are rounded. Inch dimensions are for reference only. In case of doubt or conflict metric units take priority.

## Technical Data

Peristaltic pump Series SR25*	Version SR25.X	Version SR25.X-G	Version SR25.X-W
Part number	SR25.2 01 P 1300 SR25.3 01 P 1310 SR25.6 01 P 1350	SR25.2-G 01 P 1120 SR25.3-G 01 P 1110 SR25.6-G 01 P 1400	SR25.2-W 01 P 1307 SR25.3-W 01 P 1320 SR25.6-W 01 P 1360
Housing	no	yes; material: polystyrene	no
Method of mounting	attached to a front plate	wall mounting	inside or attached to an enclosure
Protection / electrical standard	IP 10 EN60529	IP 52 EN60529	IP 10 EN60529
Electrical connection	terminal 1.5 mm <sup>2</sup>	terminal 1.5 mm <sup>2</sup> , 1 x M20 x 1.5	terminal 1.5 mm <sup>2</sup>
Dimensions in mm (inches) [H x W x D]	64 x 84 x 52 plus 40 for the motor (2.50" x 3.31" x 2.04" plus 1.56")	126 x 105 x 108 (4.98" x 4.13" x 4.26")	80 x 107 x 94 (3.15" x 4.21" x 3.71")
Weight in kg (lbs)	0.4 (0.88 lb)	0.6 (1.32 lb)	0.5 (1.10 lb)
Suction max.	200 mbar abs.		
Pressure max.	2200 mbar abs.		
Sample temperature	0 °C to +60 °C (32 °F to 140 °F)		
Ambient temperature	0 °C to +50 °C (32 °F to 122 °F)		
Storage temperature	-10 °C to +60 °C (14 °F to 140 °F)		
Material of sample contacting parts	PVDF, Novoprene		
Power supply / consumption	115/230 V 50/60 Hz / 3.5 VA		
Continuous duty	100 % ED		
Medium Connections (gas connections)	<b>Tube connections DN 4/6 mm (standard)</b> Tube support 4 Tube connection 6/8 Tube connection 1/4"		

Material of sample contacting parts (tubing)

**Novopren** (standard) used for water, weak acids or bases

**Masterflex** (reinforced contact springs necessary!) used for strong acids or bases, carbon disulfide, toluene, gasoline; alcohols

**Chemsure** used for methyl ethyl ketone, acetone, tetrahydrofuran

## Tubing selection

Peristaltic pump version	SR25.3-X	SR25.2-X	SR25.6-X
Rotational speed (revolutions per minute)	1 rpm	5 rpm	10 rpm
Pumping capacity	Tubing Ø1.6 mm ID	0.012 l/h (standard)	0.12 l/h
	Tubing Ø3.2 mm ID	0.05 l/h	0.6 l/h
	Tubing Ø4.8 mm ID	0.08 l/h	0.8 l/h (standard)