

**Formula Array LED
Highbay Light Series**

What's high on the list for
Industrial Indoors Lighting



Key points on industrial indoors Lighting

Long lifespan with less maintenance cost & relamping hassle.

Superior efficiency to produce more light by less energy consumption.

2

3

To build up a safe & efficient working environment

1

4

Pleasant & comfortable lighting environment, no glare & flicker harassed.

Wide adaptability for all kinds of industrial applications.



How does Formula Array LED
Highbay Light work?

1 piece LED module:
>205 Lm/W

Complete Luminaire:
130~150 Lm/W

**Excellent
Lumen Efficacy**



ANNEX

Report No.: CJSETI-2016F0...

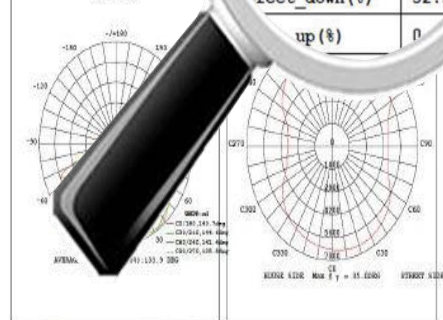
STREETLIGHT PHOTOMETRIC TEST DATA

DATA OF LAMP		Imax(c)
MODEL	QHLSD016150W	
NOMINAL POWER (W)	155.6	LOW (%)
RATED VOLTAGE (V)	220	TOTAL
NOMINAL FLUX (lm)	22187	MAXIMUM
LAMPS INSIDE	1	up (%)
TEST VOLTAGE (V)	220	down (%)

TEST DATA Eff: 142.05 lm/W

street_up (%)	0.5
street_down (%)	52.3
up (%)	0

**INTENSITY DISTRIBUTION DIAGRAM
IN C PLANE**



To be continued.



Low Junction Temp with Long Lifespan



PN junction temp: always below 70°C without complicated cooling system, to ensure a long lifespan of 100K hours.

Temp test on a 24 hour-running fixture surface shows the temp reading of 38.8°C.



Formula arrays LEDs contributes a surface light emitting instead of spot light as other LEDs, HID Lights, uniform & comfortable, with no glare.

Low junction temp ensures a rather low light decay, stable output always as the initial. L90>36000hours suitable for DLC 4.0 premium requirement.





**Capable for severe
working conditions**

**100~277V wide voltage input along
with -40°C to +60°C allowable
ambient temperature,
Complete luminaire with IP65 & anti
vibration protection, make the light
capable for all kinds of severe & heavy
duty working conditions where dust,
moisture, vibration exist.**

Comparison at a glance

Formula Array LED is truly awesome for all kinds of Industrial Indoors Lighting applications!



Items	Formula Array LEDS	Other LEDs
Life Time (hrs)	50,000~100,000	30,000~50,000
Luminous Efficacy (complete luminaire)	140~170Lm/W	90~120Lm/W
Lumen Depreciation	slight	serious
Lighting effect	Uniform Surface lighting, no glare, comfortable	Spot lighting, glare, discomfortable
Replacement ratio Vs HID & FL in watt	1:3	1:2

Product Catalogue-QHFHB002



Model: QHFHB002

Power:

40/50/60/80W/100W Input

voltage: 200~240V

100~277V

CRI: >80

Power Factor: >0.95 IP65

Milky lens

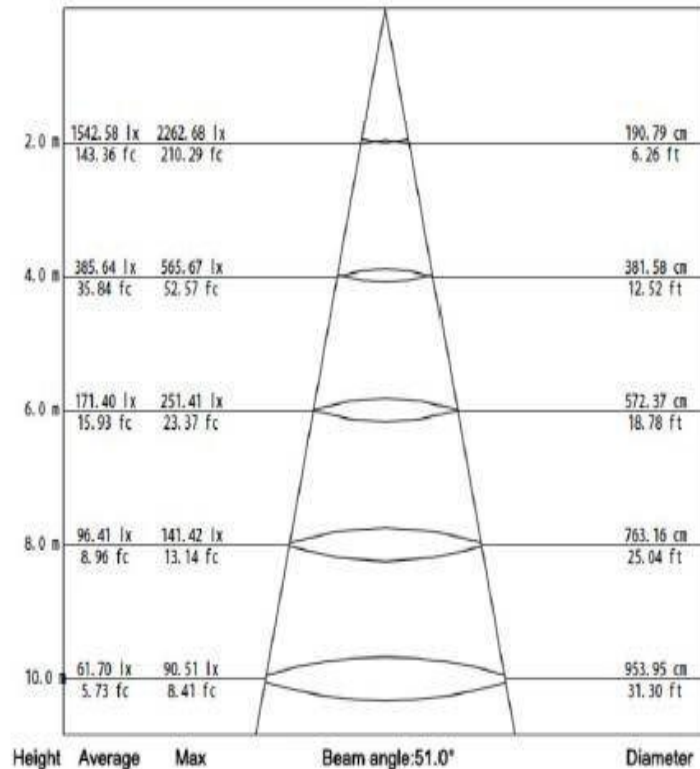
Size: Φ 540*H420mm

N.W.: 4.7KGS

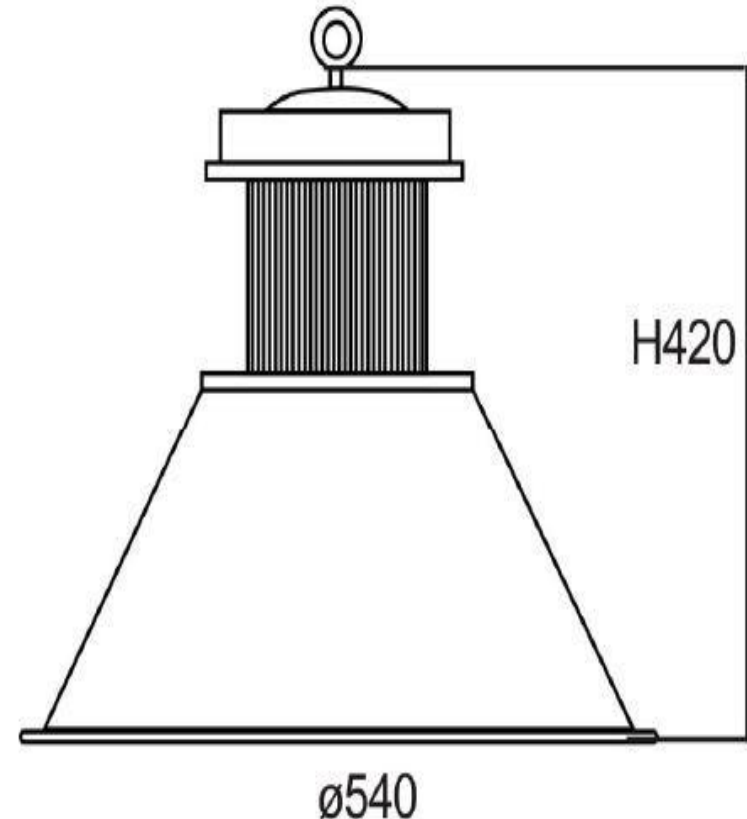
Warranty: 5 years

Product Catalogue-QHFHB002

Photometric Curve



Overall dimension



Product Catalogue-QHFHB004

Model: QHFHB004

Power:

80/100/120/150W Input

voltage: 200~240V

100~277V

CRI: >80

Power Factor: >0.95

IP65

Milky or clear lens Size:

Φ410*H410mm

Φ450*H330mm N.W.:

4.8KGS

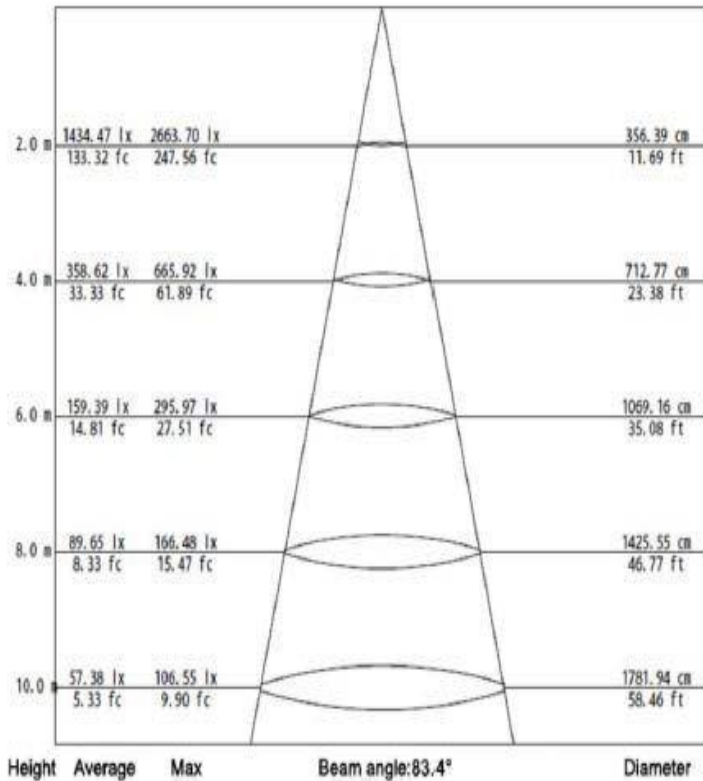
Warranty: 5 years



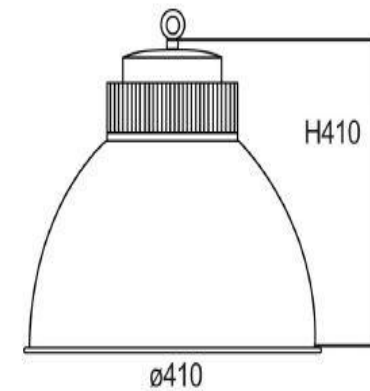
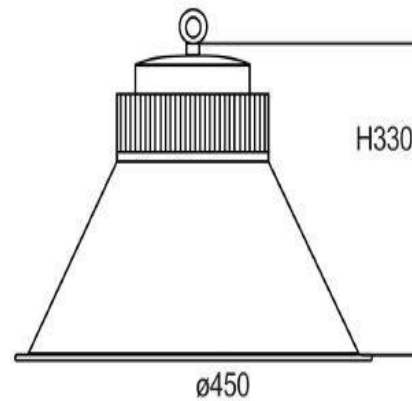
CE

Product Catalogue-QHFHB004

Photometric Curve



Overall dimension



THANKS

Mahindra *CIE*

Vinit Singh

DY - Manager Sales & Marketing

Mahindra CIE Automotive Ltd
Magnetic Products Division

Bhosari Industrial Estate

Bhosari Pune 411 026, India

Dir : +91 20 66120457

Board : +91 20 66120400

Fax : +91 20 27120389

Mobile : +91 95525 32026

singh.vinit@mahindracie.com

www.mahindracie.com