



SP2200-H/C/I/BB(F)

Gas Sample Probe Series SP®

Version SP2200-H/C/I/BB and SP2200-H/C/I/BB/F

Special Features

- Heated sample probe with integrated valves for:
- Calibration gas injection
- Probe outlet isolation
- Blow back

Description

The M&C probe SP2200-H/C/I/BB and /BB/F is based on the standard probe SP2000-H.

Following options are included:	SP2200-H...
Calibration gas connection	tube connector 6 mm o.d.
Blow back gas connection	tube connector 8 mm o.d.
Calibration gas injection valve	/C
Isolation valve	/I
Valve for blow back of the filter housing area	/BB
Valve for blow back of the incorporated ceramic filter	/BB/F

- Calibration gas will be injected into the probe through a check valve /C directly to the sample outlet. No calibration gas is lost into the stack.
- An isolation valve /I shuts off the sample outlet from the internal filter area.
- Through a high flow rate check valve /BB, which is fixed to the internal probe area, blow back of the filter housing area and the insitu probe tube will be done.
- Through a high flow rate check valve /BB/F, which is fixed to the filter housing wall, blow back of the incorporated ceramic filter will be done incl. the filter area and the insitu probe tube.

Technical Data

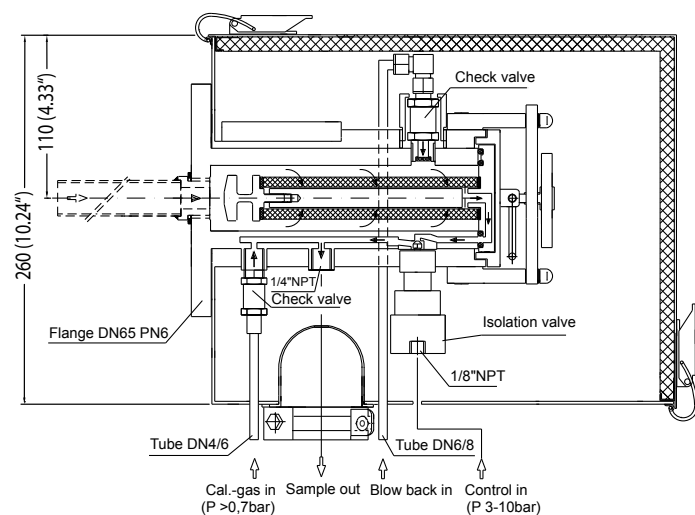
	SP2200-H/C/I/BB	SP2200-H/C/I/BB/F
Part Number	20 S 2010	20 S 2015
Operating temperature	max. 180 °C (356 °F)	
Power supply	230 V 50 Hz, 800 W optional 115 V 60 Hz	
Calibration gas valve /C	Check valve, cracking pressure: >0.7 bar g	
Isolation valve /I	Bellow valve with pneum. actuator, control pressure: 3-10 bar g connection: 1/8"NPT i	
Blow back valves /BB+/BB/F	High flow rate check valve, cracking pressure: >0.7 bar g, recommended: 3-6 bar g we recommend short pressure pushes to avoid decreasing of temperature in blow back area. Connection: tube connector 8 mm o.d.	
Flange	material: stainless steel 316Ti, dimensions: DN65 PN6 B	

For further technical information see data sheet 2.1, standard probe SP2000-H

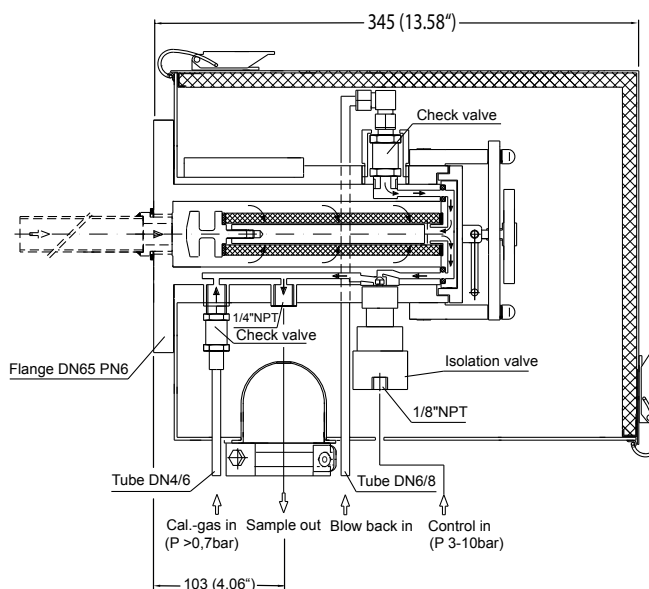
Dimensions

Electrically heated gas sample probe series SP*

SP2200-H/C/I/BB



SP2200-H/C/I/BB/F



Dimensions in mm (Inches)